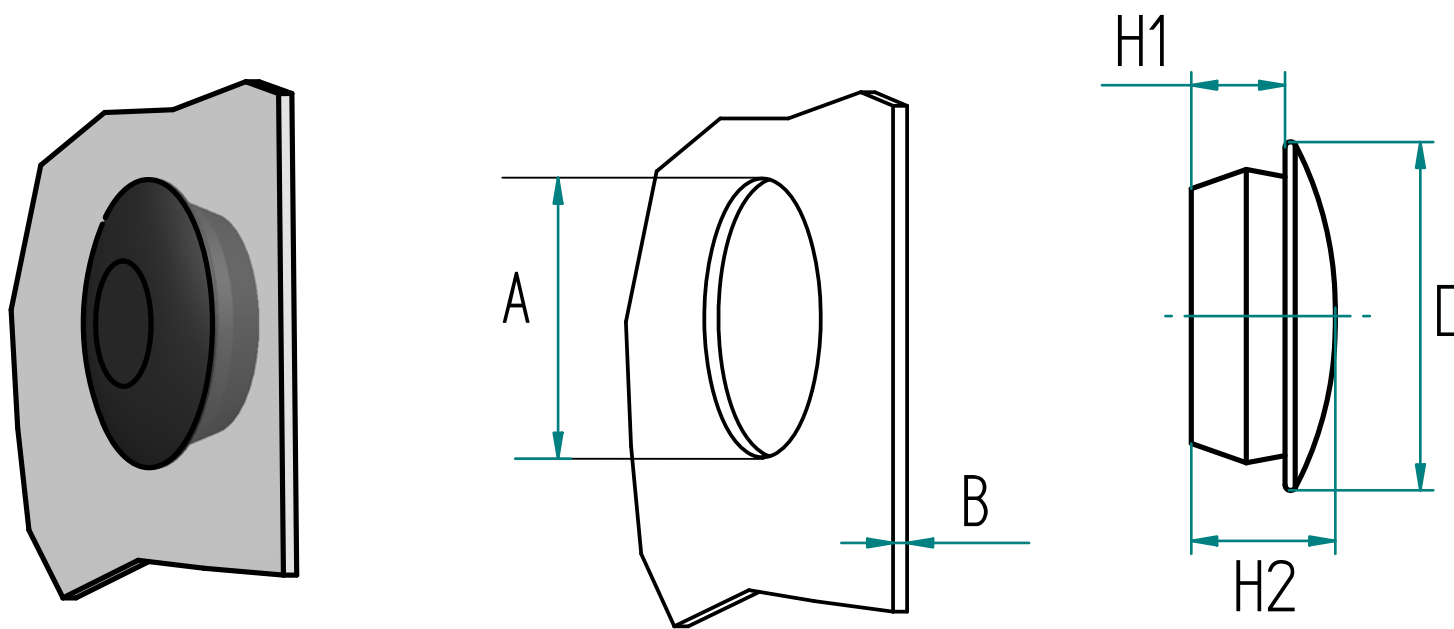


PART NUMBER	Color	Nominal Size	Panel Hole Size	PANEL THICKNESS	HEAD D	HEIGHT H1	HEIGHT H2			
1500	black*	M 6	6	1 - 3.0	12	8,5	11,5			
1501		M 8	8	1 - 3.0	14	8,5	11.5			
1502		M 10	10	1 - 3.0	16	8,5	12			
1503		M 12	12	1 - 3.0	18,5	8,5	12			
1504		M 16	16	1 - 3.0	23	8,5	12.5			
1505		M 20	20	1 - 3.0	27	8,5	13			
1506		M 25	25	1 - 3.0	31,5	8,5	13			
1507		M 32	32	1 - 3.0	39,5	8,5	13			



**MATERIALS:**

- EPDM (black) Ozone and weather resistant.  
top temperature resistant up to 130°C

- Other materials on request

**GUMMIVOGT**  
Global partner for small rubber parts. Since 1946

Tolerances accord.  
DIN ISO 3302-1 M2 F

For more Information:  
[www.gummivogt.de](http://www.gummivogt.de)

**BLANKING PLUGS**