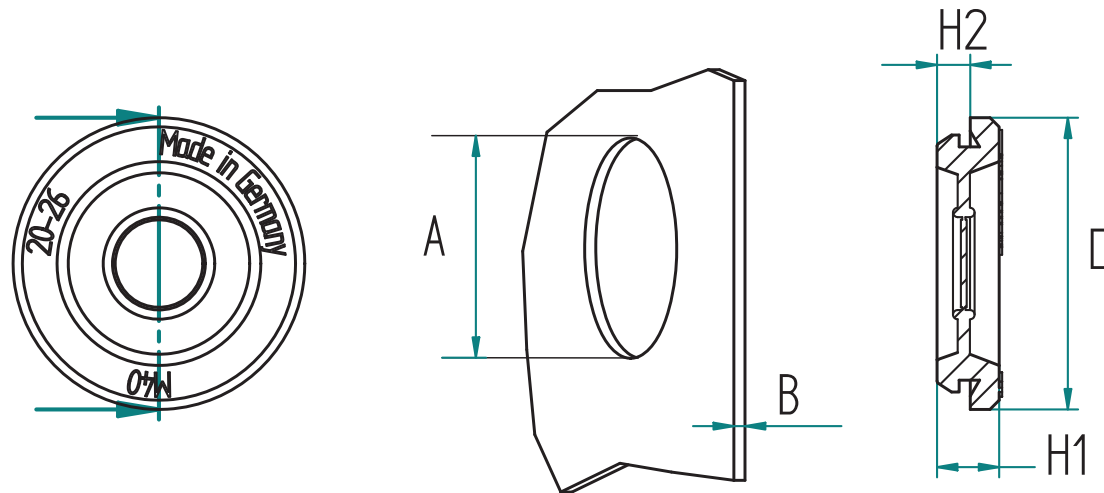


PART NUMBER	Color	Nominal Size	Panel Hole Size	PANEL THICKNESS	CABLE DIA.	DIMENSION A	DIMENSION B	DIMENSION D	DIMENSION H1	DIMENSION H2
1600	black*	M 12	12.5	1 - 2.5	3-5	12.5	1 - 2.5	18.5	7.5	2.6
1601		M 16	16.5	1 - 2.5	5-7	16.5	1 - 2.5	22.5	7.5	2.6
1602		M 20	20.5	1 - 2.5	7-10	20.5	1 - 2.5	26.5	7.5	2.6
1603		M 25	25.5	1 - 2.5	10-14	25.5	1 - 2.5	31.5	7.7	2.6
1604		M 32	32.5	1 - 2.5	14-20	32.5	1 - 2.5	38.5	9.0	3.0
1605		M 40	40.5	1 - 3.5	20-26	40.5	1 - 3.5	49.0	10.5	3.5
1606	*other colors on request	M 50	50.5	1 - 3.5	26-35	50.5	1 - 3.5	59.0	11.5	4.0
1607		M 63	63.5	1 - 3.5	35-40	63.5	1 - 3.5	72.0	12.0	4.5



MATERIALS:

- EPDM (black), Hardness 62 Shore A, Ozone and weather resistant. Top temperature resistant up to 130°C

- Silicone (Black), Hardness 65 Shore A, Excellent electric insulation characteristics. Top temperature resistant up to 220°C.

- CR (black), Hardness 70 Shore A, Limited resistance to chemicals. ageing and climatic influences. temperature resistant up to 110 °C

GUMMIVOGT
Global partner for small rubber parts. Since 1946

Tolerances accord.
DIN ISO 3302-1 M2 F

For more Information:
www.gummivogt.de

SNAP[®]-METRIC light