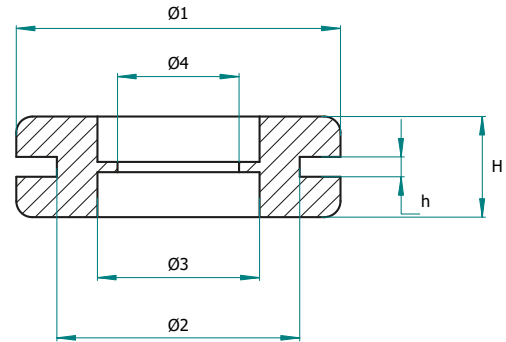


## KABELDURCHFÜHRUNG MIT INNENLIEGENDER DICHTLIPPE CABLE GROMMET WITH INSIDE SEALING LIP



Artikel Nr. <i>Part no.</i>	Gesamt Ø <i>Total Ø</i>	Loch Ø <i>Hole Ø</i>	Ø3 <i>Ø3</i>	Ø4 <i>Ø4</i>	Spalt <i>Gap</i>	Gesamthöhe <i>Total height</i>	Material <i>Material</i>	
	Ø1	Ø2	Ø3	Ø4	h	H		
1047	8,0	6,0	3,8	2,5	2,0	4,2	EB	
1088	12,0	9,8	6,8	6,0	1,0	8,1	EB	
1093	16,0	11,0	8,8	6,3	2,0	10,2	EB	
1065	19,0	15,0	10,7	7,7	1,7	8,1	EB	
1096	20,0	16,5	13,2	10,4	2,0	10,0	EB	
1094	30,0	20,0	18,0	14,0	2,3	10,3	EB	
1095	35,0	28,0	24,0	20,0	2,0	10,0	EB	

**Information:**

EB = EPDM, schwarz

Toleranzen nach (DIN ISO 3302, Teil 2 M2F)  
Irrtum vorbehalten

**Information:**

EB = EPDM, black

General measuring tolerances (DIN ISO 3302, section 2 M2F)  
Errors excepted

