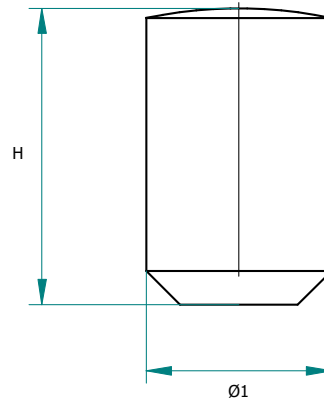


STECKFUSS
RUBBER STOPPER



Artikel Nr. <i>Part no.</i>	Gesamt Ø <i>Total Ø</i>	Gesamthöhe <i>Total height</i>	Material <i>Material</i>	
	Ø1	H		
1649 ¹⁾	4,5	7,7	EB	
1699	5,0	6,3	EB	
1683	6,0	9,5	EB	
1700	5,0	6,0	EB	

Information:

EB = EPDM, schwarz
1) = Durchgangsbohrung von Ø 1,2mm
Toleranzen nach (DIN ISO 3302, Teil 2 M2F)
Irrtum vorbehalten

Information:

EB = EPDM, black
1) = drill-hole Ø 1,2mm
General measuring tolerances (DIN ISO 3302, section 2 M2F)
Errors excepted

