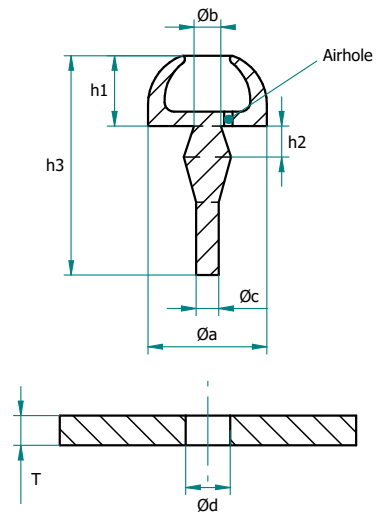




SOFTPUFFER - FORM 1  
SOFTBUFFER - SHAPE 1



Artikel Nr. <i>Part no.</i>	Kopf $\varnothing$ <i>Head <math>\varnothing</math></i>	Kopfhöhe <i>Head height</i>	Hals $\varnothing$ <i>Neck <math>\varnothing</math></i>	Spalt <i>Gap</i>	Zapfen $\varnothing$ <i>Tap <math>\varnothing</math></i>	Gesamthöhe <i>Total height</i>		Federweg <i>pitch of spring</i>	T/D <i>T/D</i>	T/D <i>T/D</i>	Material <i>Material</i>	
	a	h1	b	h2	$\varnothing c$	h3	$\varnothing d$					
1279	10,0	6,0	2,5	1 - 2,5	2,0	18,5	-	$\approx 4,0$	1 / 2,2	2,5 / 2,5	EB	
1280	14,5	10,0	3,8	1 - 2,5	3,0	23,5	-	$\approx 7,5$	1 / 3,3	2,5 / 3,5	EB	

**Information:**

EB = EPDM, schwarz

Toleranzen nach (DIN ISO 3302, Teil 2 M2F)  
Irrtum vorbehalten

**Information:**

EB = EPDM, black

General measuring tolerances (DIN ISO 3302, section 2 M2F)  
Errors excepted

